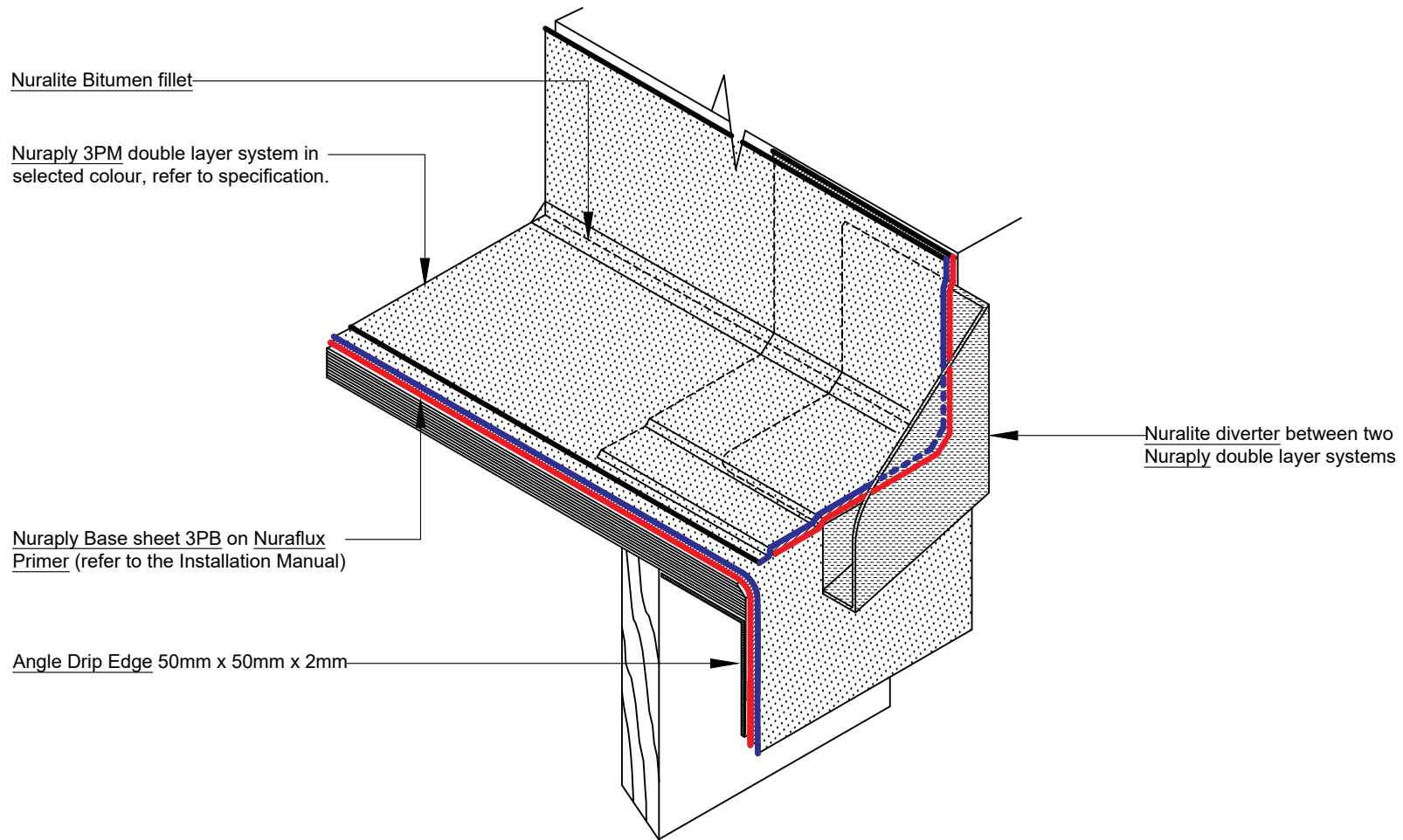


This drawing is indicative only and not for construction. This detail depicts Nuralite products and components for correct use as per the installation manual. All other elements are typical only - refer to the designer. Always refer to original colour details when printing.



ISOMETRIC VIEW



All Nuralite products/systems to be installed by an authorized Nuralite applicator and in accordance with Nuralite published instruction. Product data sheets should be consulted at all times. This drawing is a guide and is not for construction. This detail drawing is to be used only as part of the Nuralite specification package. All drawings are subject to copyright. Unauthorized use is prohibited. © Nuralite Waterproofing Ltd

0800 - NURALITE (687254) www.nuralite.co.nz

PRODUCT/SYSTEM: **NURAPLY 3PM ON TIMBER - COLD ROOF**

DETAIL: **DRAIN DIVERTER INSTALLED INTO NURAPLY COLD ROOF**

SCALE: **NTS** DATE: **SEP 2018** PREVIOUS DWG no: - REVISION: **1** DWG no: **RPPC.A3 iso**