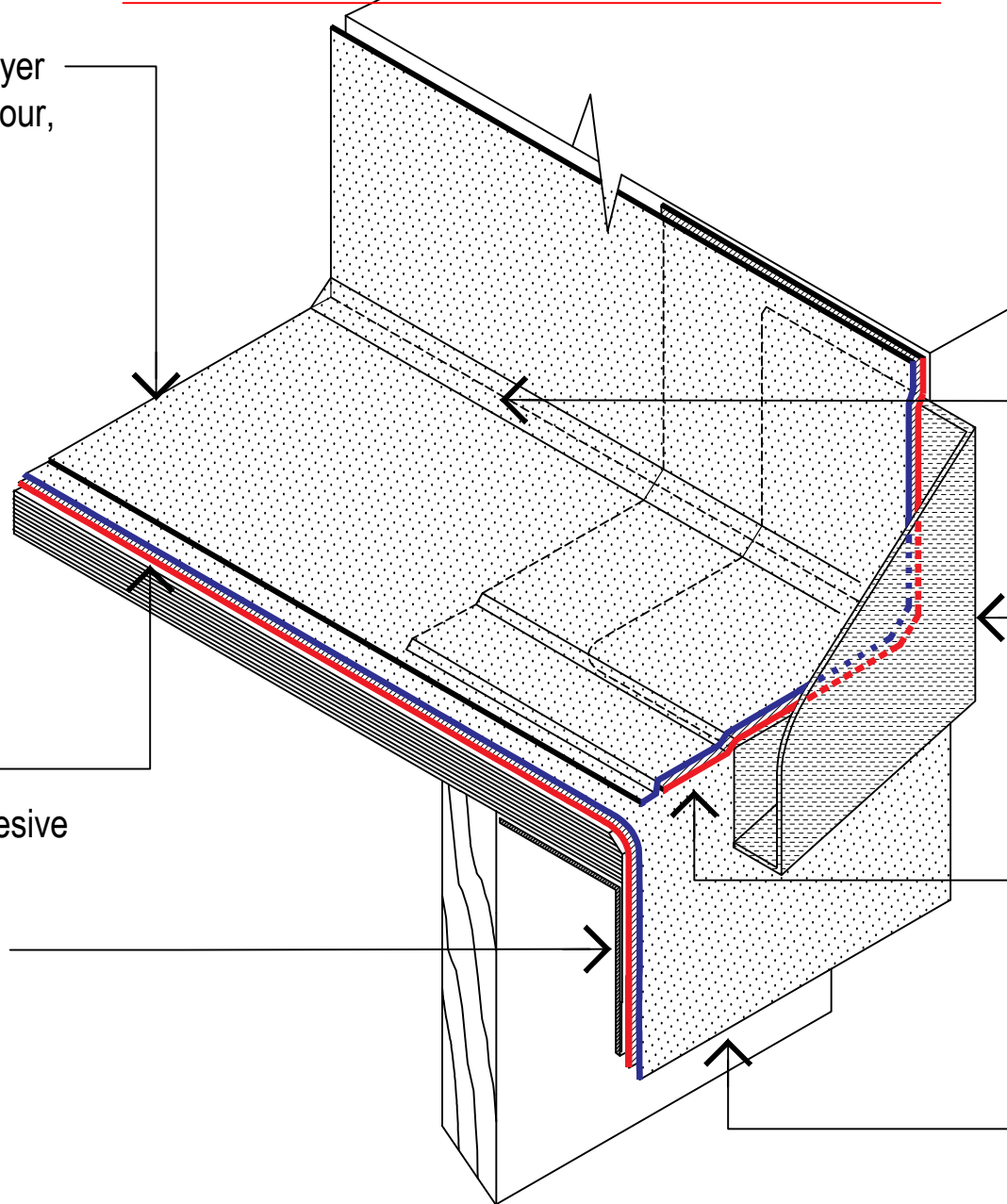


THIS DRAWING IS INDICATIVE ONLY AND BY NO MEANS COMPREHENSIVE



Nuraply 3PM double layer system in selected colour, refer to specification.



H3.2 treated 20mm angle fillet

Nuralite right hand side drain diverter between two Nuraply double layer systems

Nuraply 3PB

Nuraply 3PB on Nurabond #10 adhesive

50 x 50 stainless steel metal angle

Nuraply 3PM double layer system in selected colour, refer to specification.

ISOMETRIC VIEW



Nuralite Waterproofing Ltd.

53A Victoria Street, Onehunga,
Auckland 1061, New Zealand
TEL: (64) (9) 579-2046
FAX: (64) (9) 579-5136
email: info@nuralite.co.nz
web: www.nuralite.co.nz

All applications to be installed by an authorised nuralite applicator. All materials to be applied in accordance with standard published installation instruction and product data sheet should be consulted at all times. This drawing is for comment & approval it must not be used for construction until authorised by the site specifier or other relevant technical expert. This detail drawing is to be used only as a part of the nuralite specification package.
All drawings are subject to copyright. Unauthorised use is prohibited
© NURALITE WATERPROOFING Ltd.

PRODUCT:

ALUMINIUM DRAIN DIVERTER

DESCRIPTION:

DRAIN DIVERTER INSTALLED INTO NURAPLY COLD ROOF

SCALE: NTS

PREVIOUS DWG No: New

DWG No: **RPPC.D2 iso**

REVISION: Rev E

DATE: MAY 16